
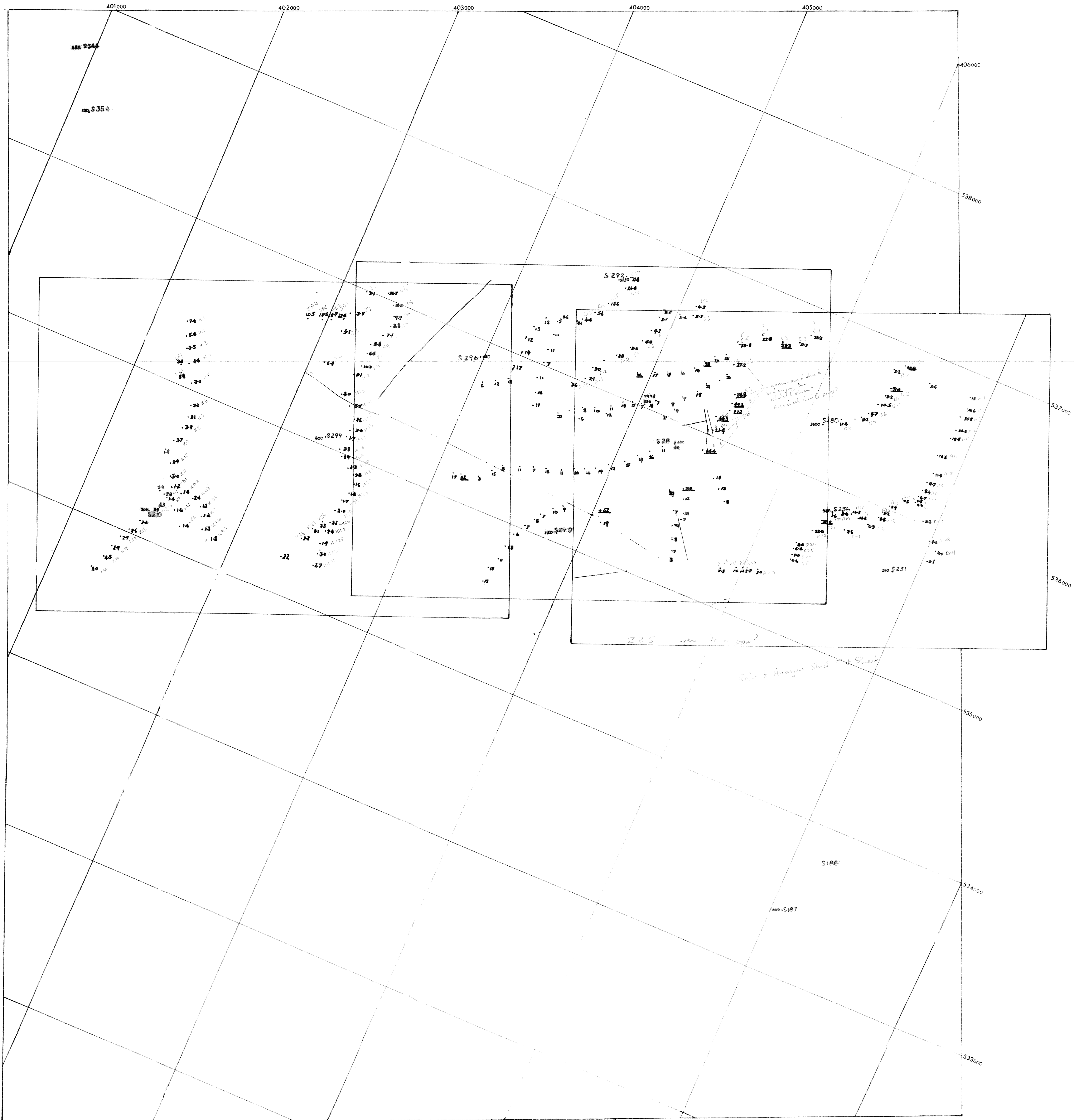


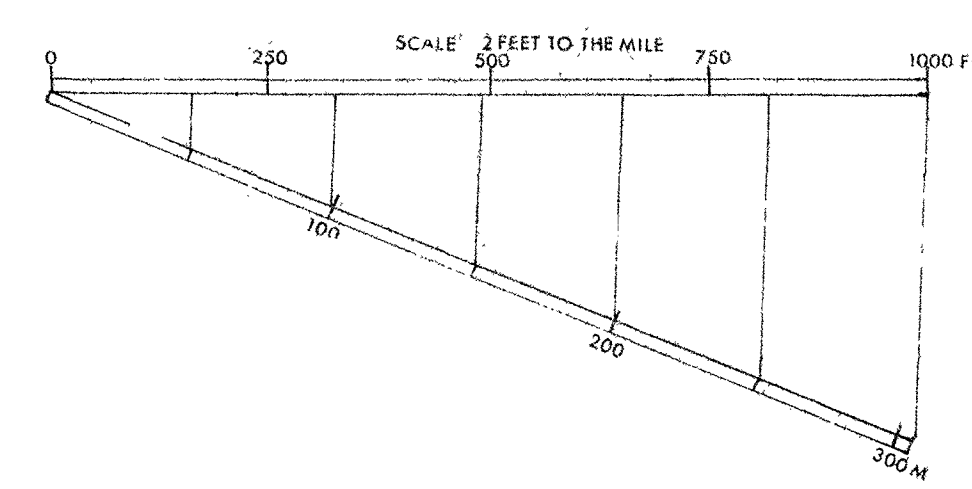
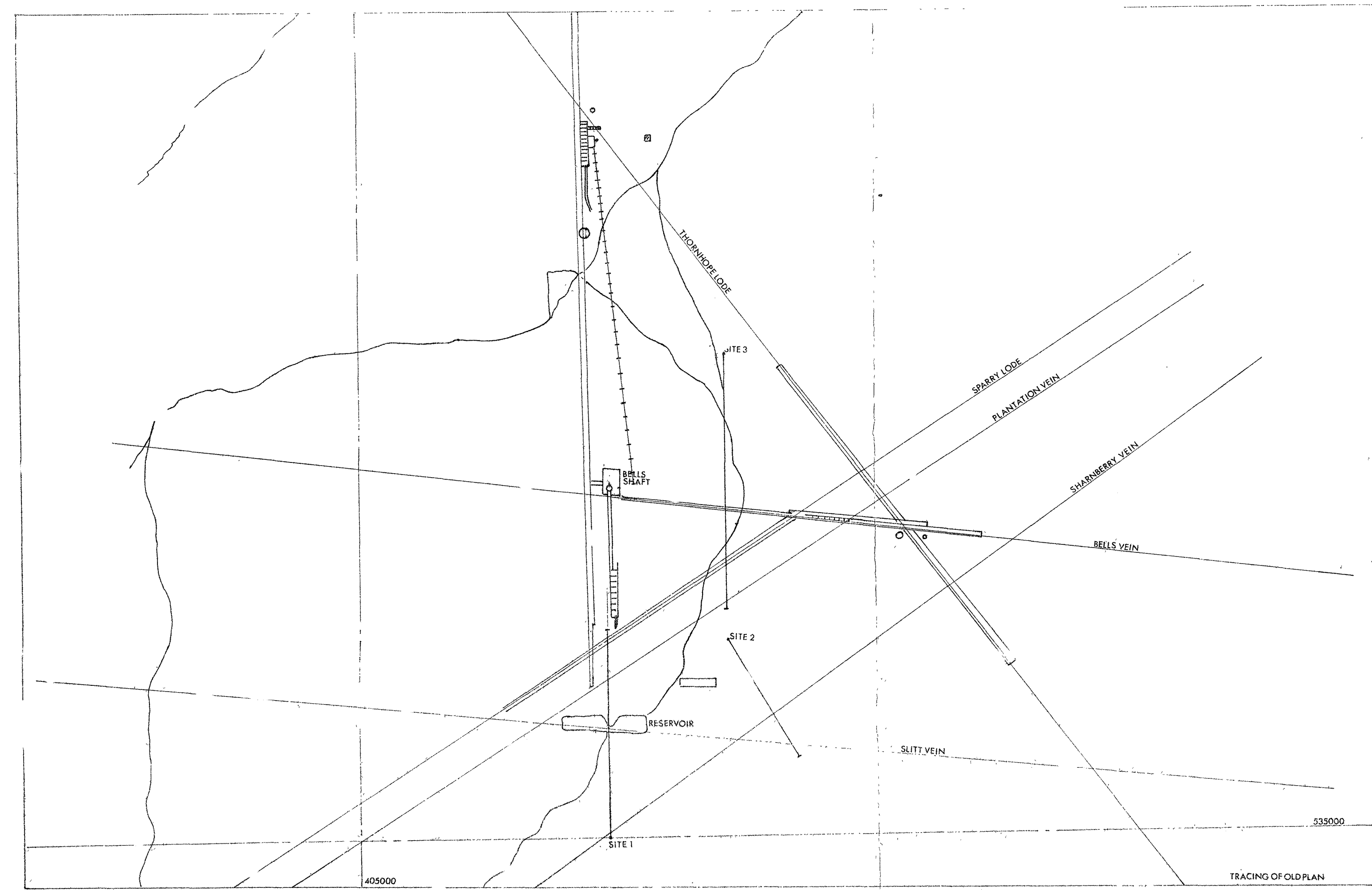
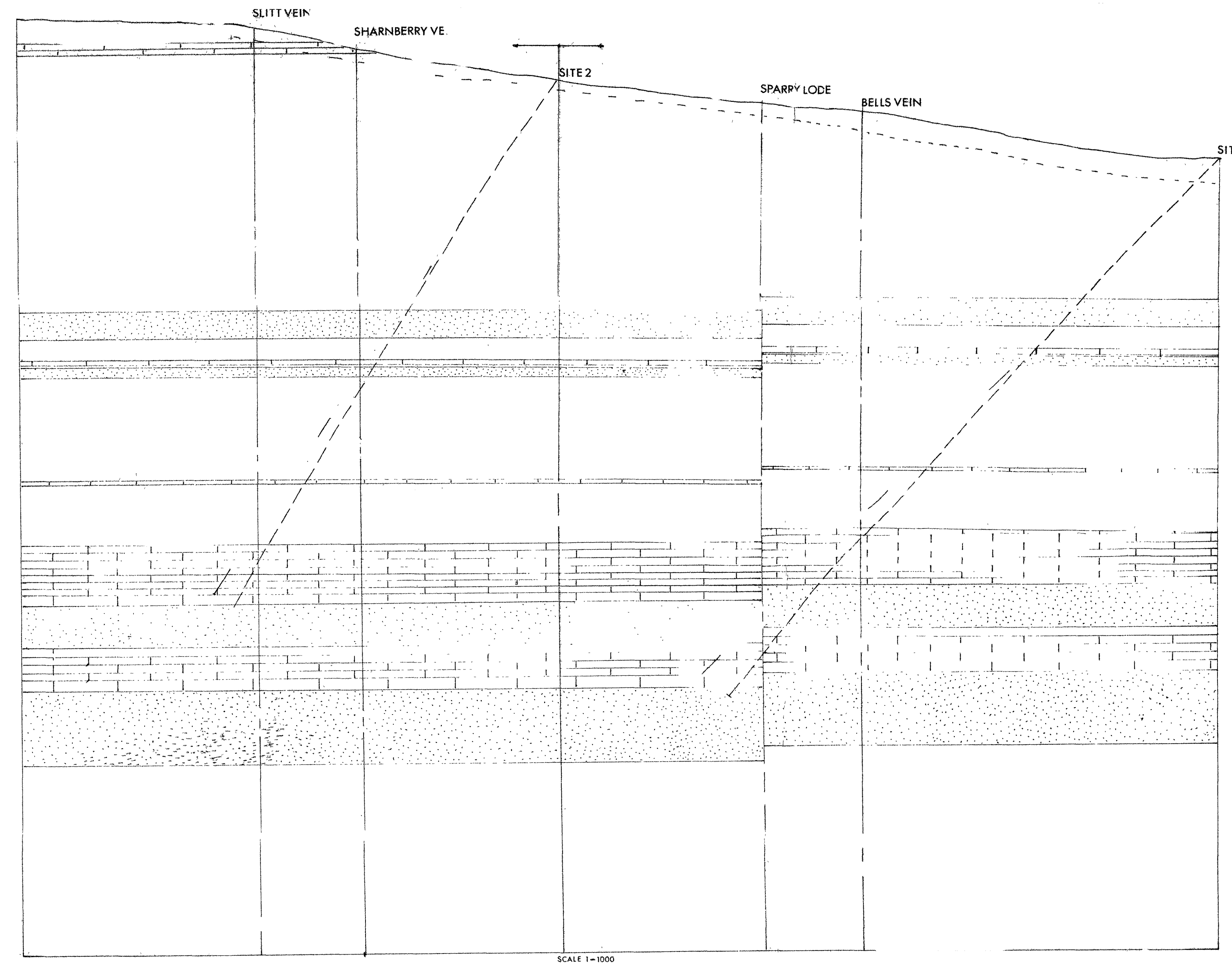
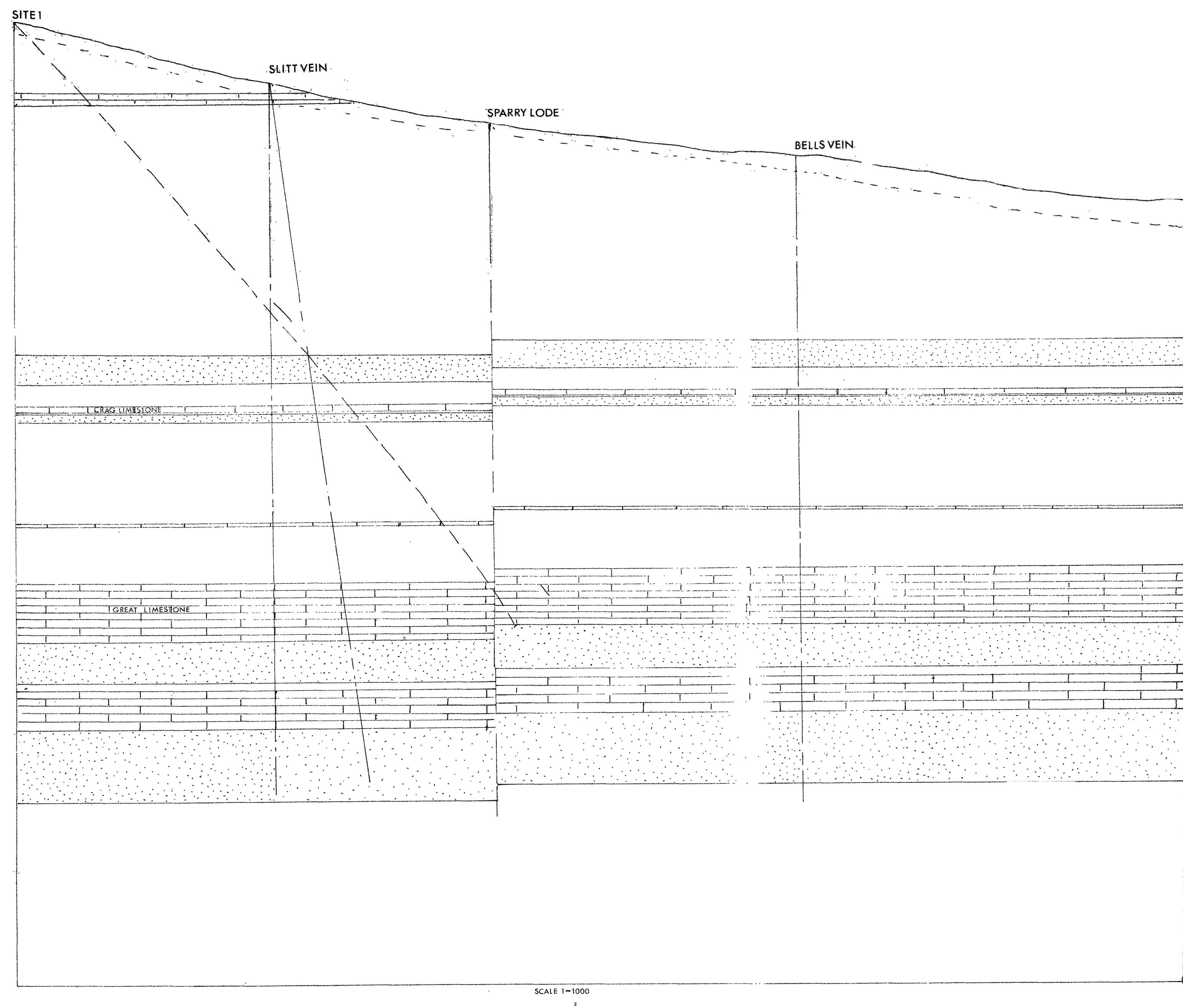
Commercial in Confidence

Swiss Aluminium Mining (UK) Limited			
<small>Truro - Exeter - Bath - Auckland - Co. Durham</small>		<small>SAMUK</small>	
ISSUE	DESCRIPTION	DATE	SIG.
DRAWN <i>R. Clarke</i>	CHECKED		
DATE 12.1.81	APPROVED		
SCALE 1:10,000	REF.		
TITLE SUNNYSIDE GEOCHEMISTRY SOIL SURVEY			MAT'L
USED ON/MINE			No. REQ'D
DRAWING No. MAP F			



Commercial in Confidence

Swiss Aluminium Mining (UK) Limited			
Rookhope Bishop Auckland Co. Durham			
182 IN GREEN = XRF RESULTS OF 1972 PILOT SURVEY			
ISSUE	DESCRIPTION	DATE	SIG.
DRAWN <i>P. J. Little</i>	CHECKED		
DATE 24.10.80	APPROVED		
SCALE 1:10000	REF.		
TITLE SUNNYSIDE GEOCHEMISTRY CX FLUORIDE			MAT'L
USED ON/MINE			No. REQ'D
DRAWING No. MAP E			11



Swiss Aluminium Mining (UK) Limited			
Rookhope Bishop Auckland Co. Durham			SAMUK
ISSUE	DESCRIPTION	DATE	SIG.
DRAWN	<i>R.E. Galt</i>	CHECKED	<i>[Signature]</i>
DATE	18/1/60	APPROVED	<i>[Signature]</i>
SCALE	SECTION 1:1000 PLAN: 2 FEET TO THE MILE	REF.	
TITLE	SUNNYSIDE DIAMOND DRILLING PROJECT	MAT'L	
USED ON/MINE		No. REQ'D	
DRAWING No.			